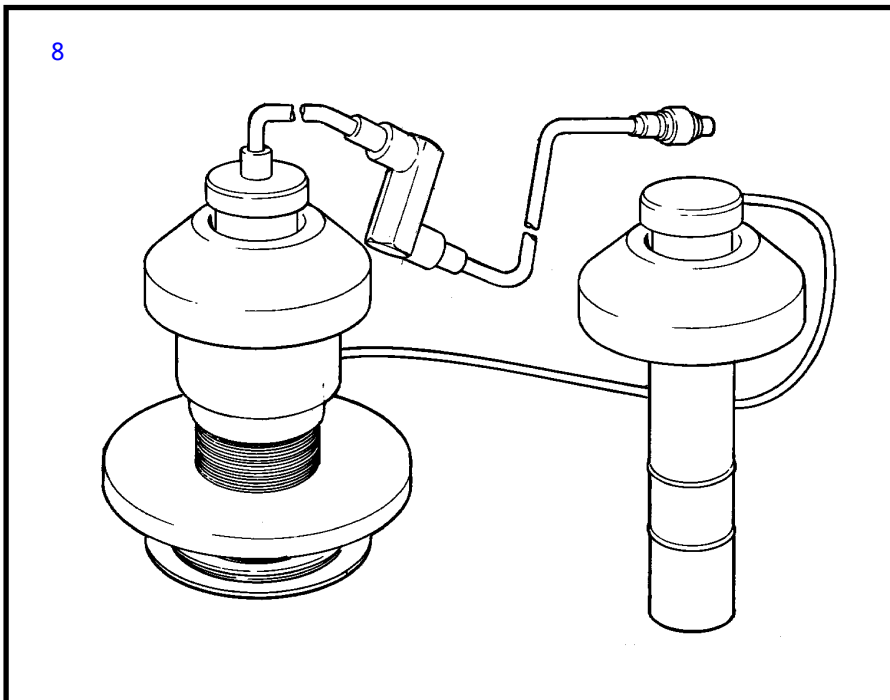
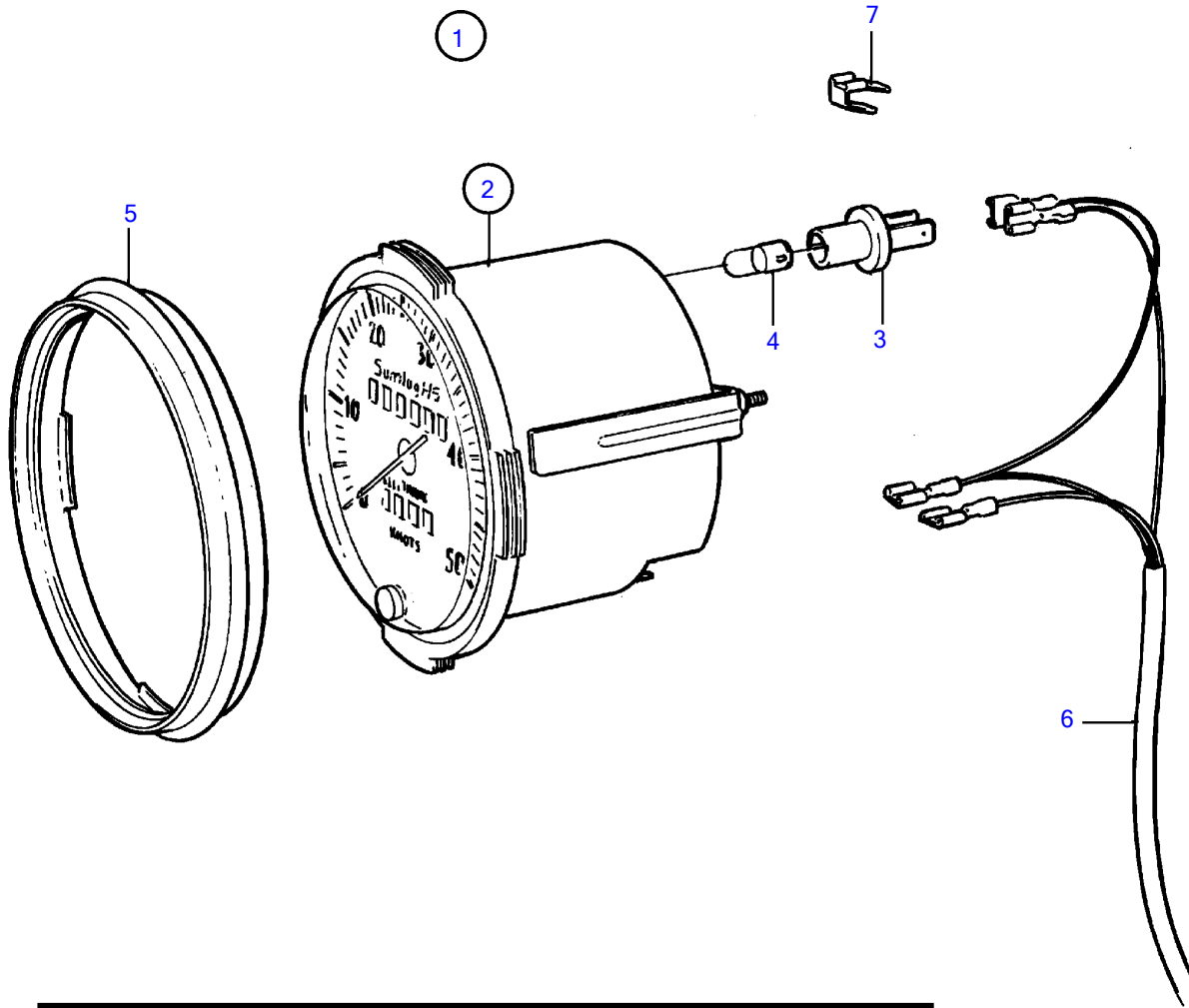


AD31L-A, AD31P-A, AD41L-A, AD41P-A, D41L-A, TAMD31L-A, TAMD31M-A, TAMD31P-A, TAMD31S-A, TAMD41H-A, TAMD41H-B, TAMD41P-A, TAMD41L-A, TAMD41M-A, TMD31L-A, TMD41L-A



AD31L-A, AD31P-A, AD41L-A, AD41P-A, D41L-A, TAMD31L-A, TAMD31M-A, TAMD31P-A, TAMD31S-A, TAMD41H-A, TAMD41H-B, TAMD41P-A, TAMD41L-A, TAMD41M-A, TMD31L-A, TMD41L-A

REF	PART NO.	QTY	DESCRIPTION	NOTES
1	(1140430)	1	Electronic log kit	Obsolete part
2	(856806)	1	• Electronic log	Obsolete part
3	808175	1	• • Lamp socket	
4	19923	1	• • Bulb	
5	856805	1	• Ring	
6	(856862)	1	• Cable kit	Obsolete part
7	943950	1	• Switch	
8	(856817)	1	• Connector kit	Obsolete part